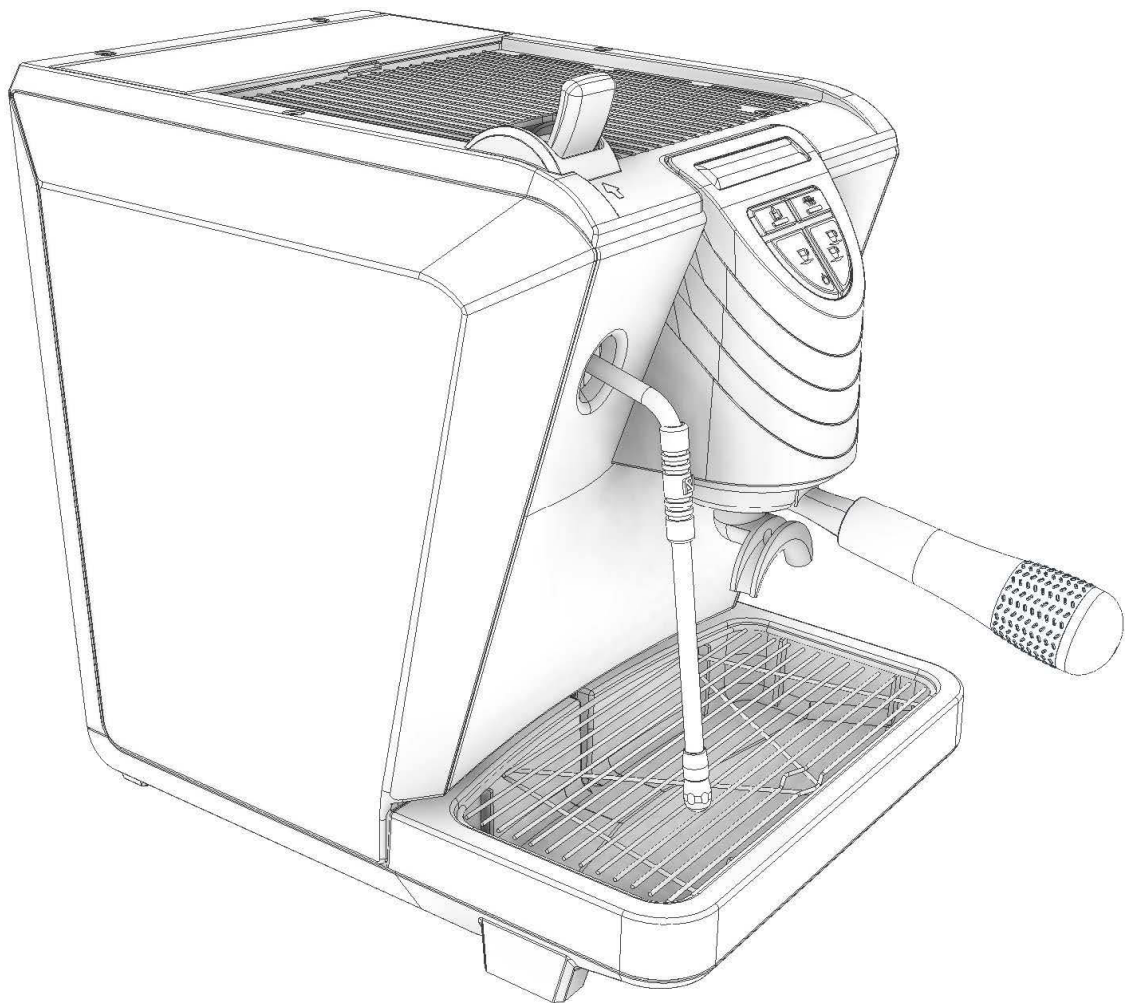


PRODOTTI / RICAMBI
PRODUCTS / SPARE PARTS
PRODUITS / PIÈCES DÉTACHÉES
PRODUKTE / ERSATZTEILE
PRODUCTOS / REPUESTOS

OSCAR II

Esplosi
12/2015



 nuova
SIMONELLI®

IN+PLUS
AUTORYZOWANY DYSTRYBUTOR
www.simonelligroup.pl

I N D I C E

- » TAV 01 - COMPONENTI GRUPPO CARENA / CABINET PARTS
- » TAV 02 - GRUPPO EROGATORE / COMPLETE POURING UNIT
- » TAV 03 - COMPONENTI TELAIO - TANICA / TANK FRAME COMPONENTS
- » TAV 04 - RUBINETTI VAPORE E ACQUA CALDA / STEAM & HOT WATER VALVES PARTS
- » TAV 05 - COMPONENTI CALDAIA / BOILER COMPONENTS
- » TAV 06 - COMPONENTI ELETTRICI / ELECTRICAL COMPONENTS

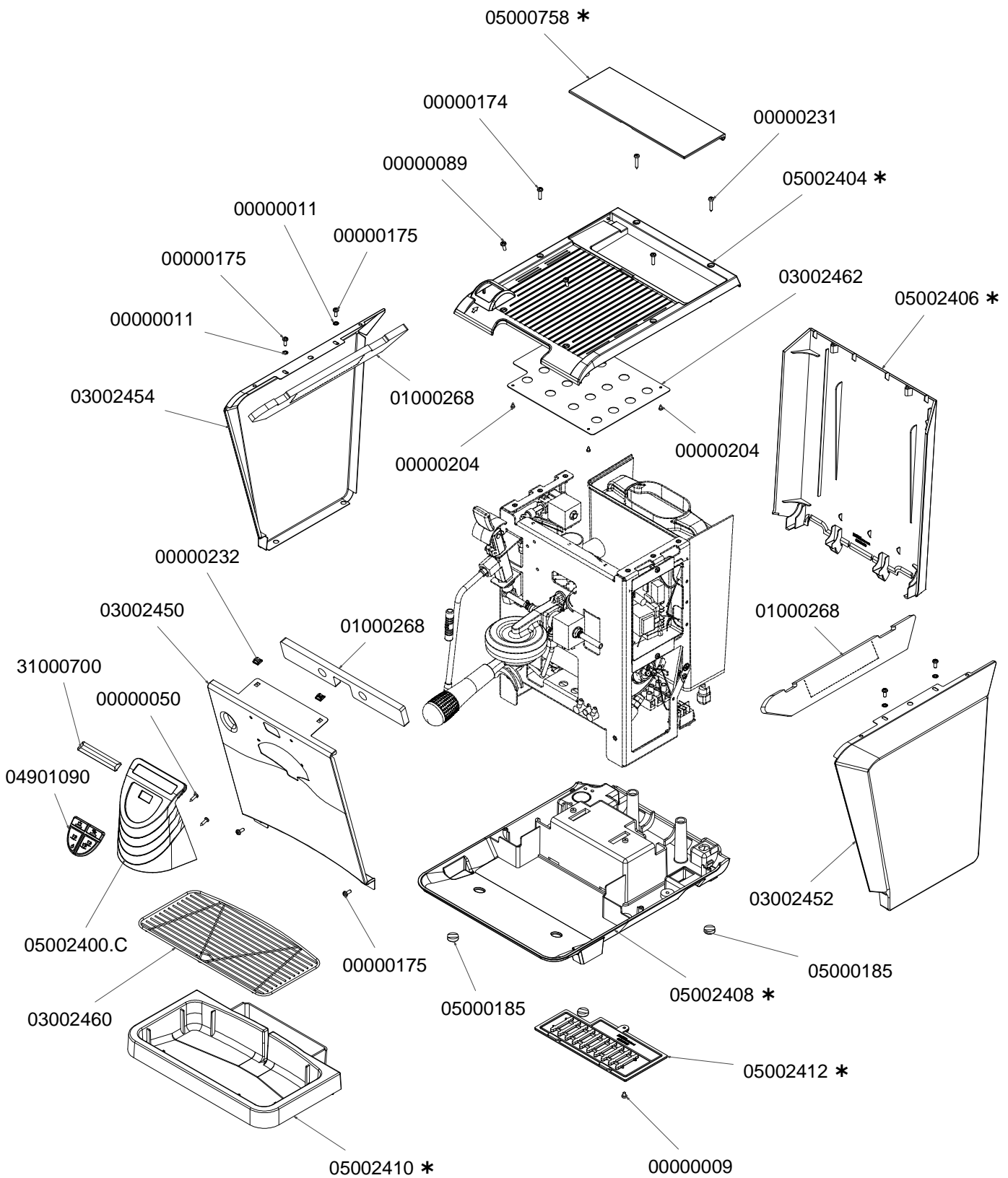


INPLUS

AUTORYZOWANY DYSTRYBUTOR
www.simonelligroup.pl

COMPONENTI GRUPPO CARENA CABINET PARTS

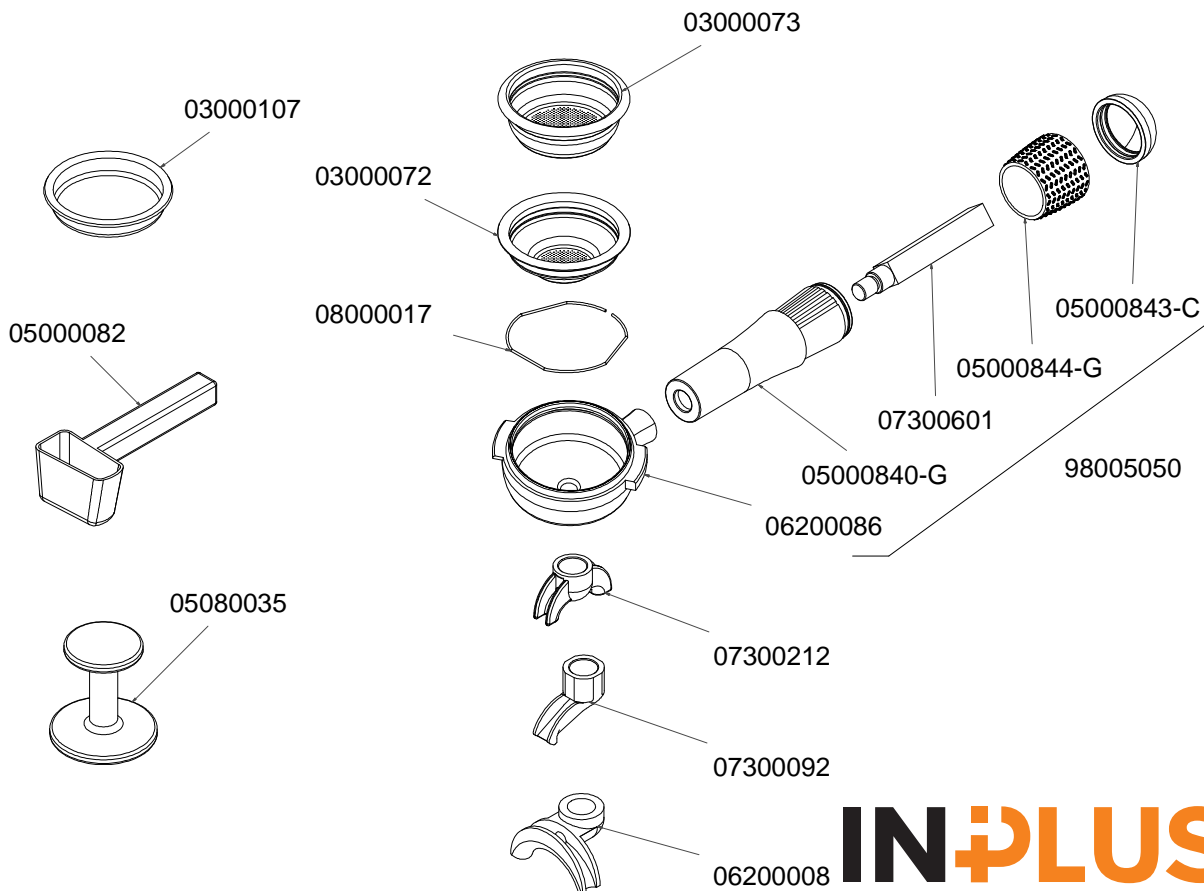
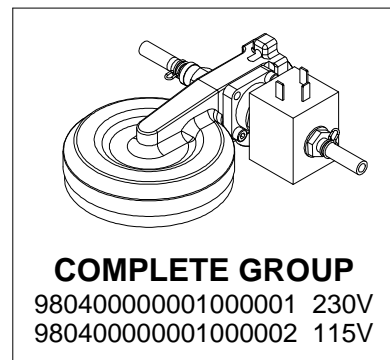
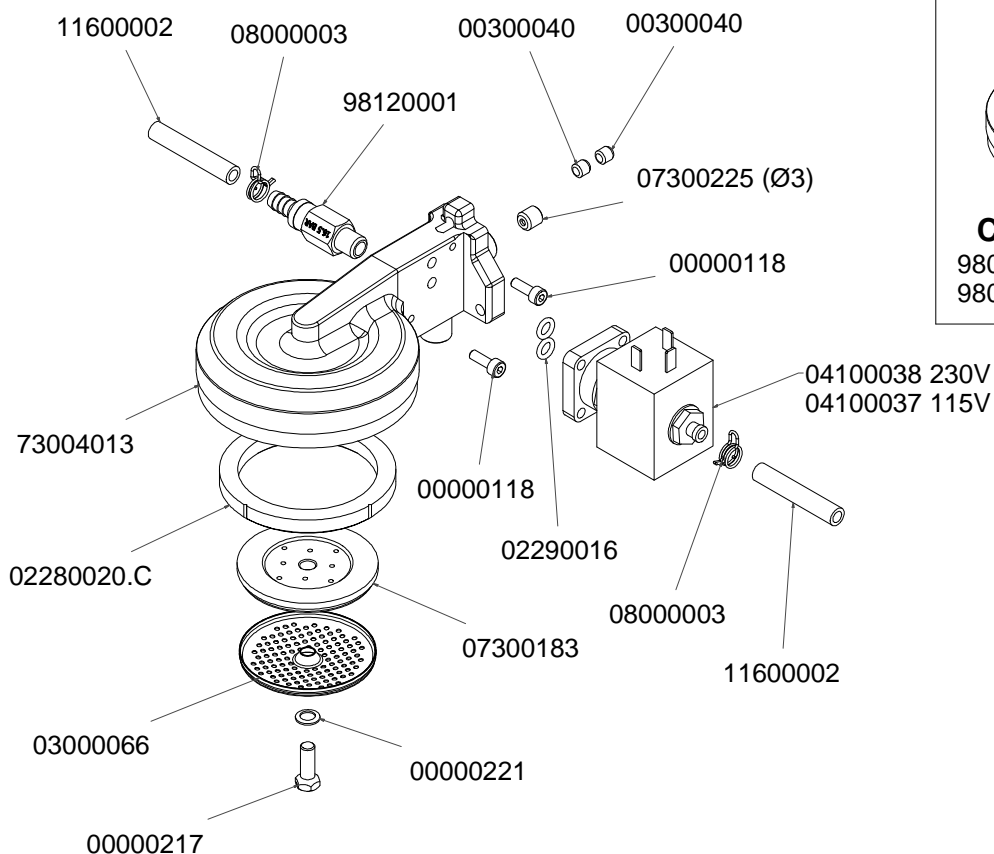
O
S
C
A
R
II



* SPECIFICARE COLORE (SPECIFY COLOR)

COMPONENTI GRUPPO EROGAZIONE

POURING UNIT PARTS

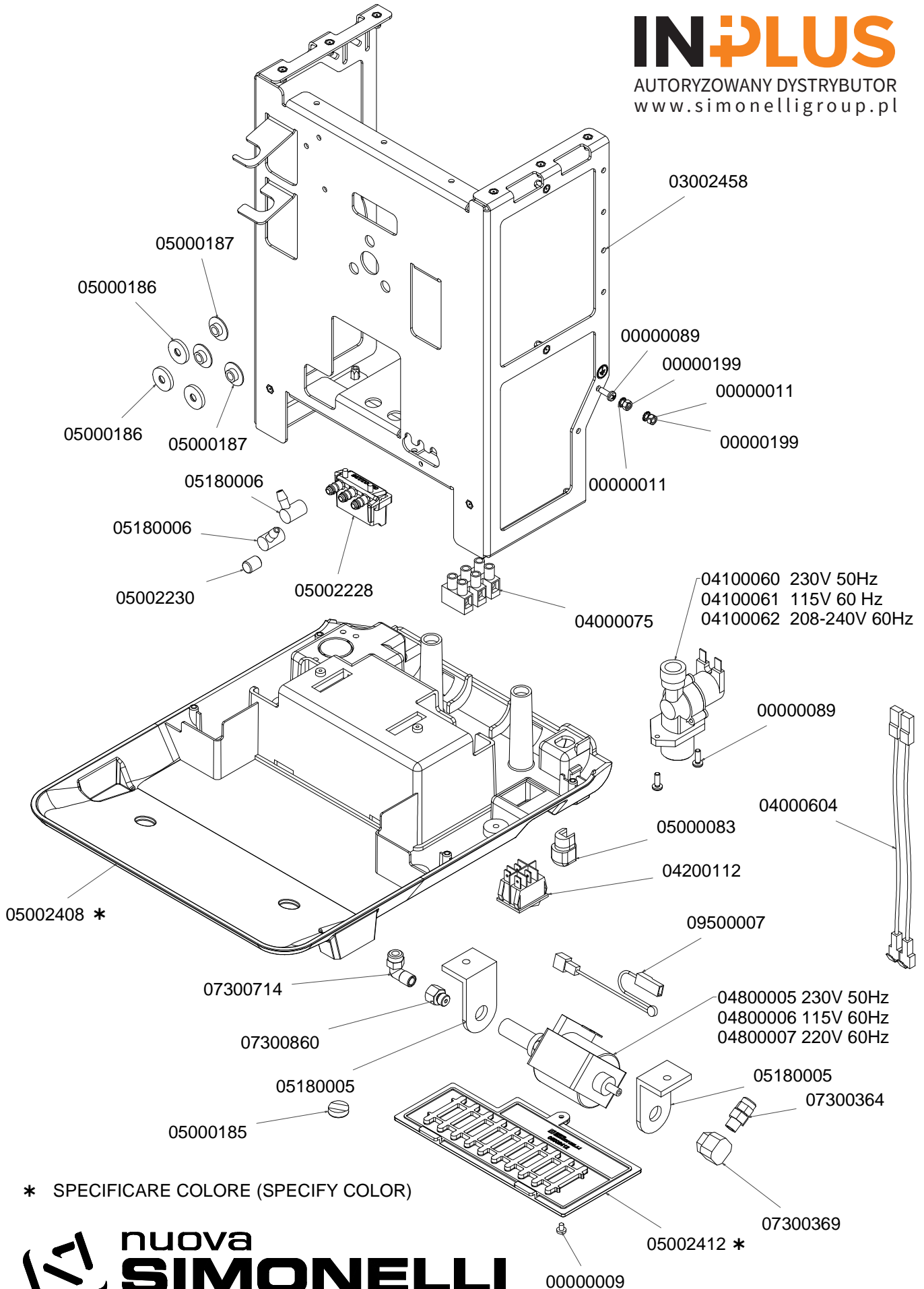


COMPONENTI TELAIO FRAME PARTS

INPLUS

AUTORIZZATO DYSTRYBUTOR
www.simonelligroup.pl

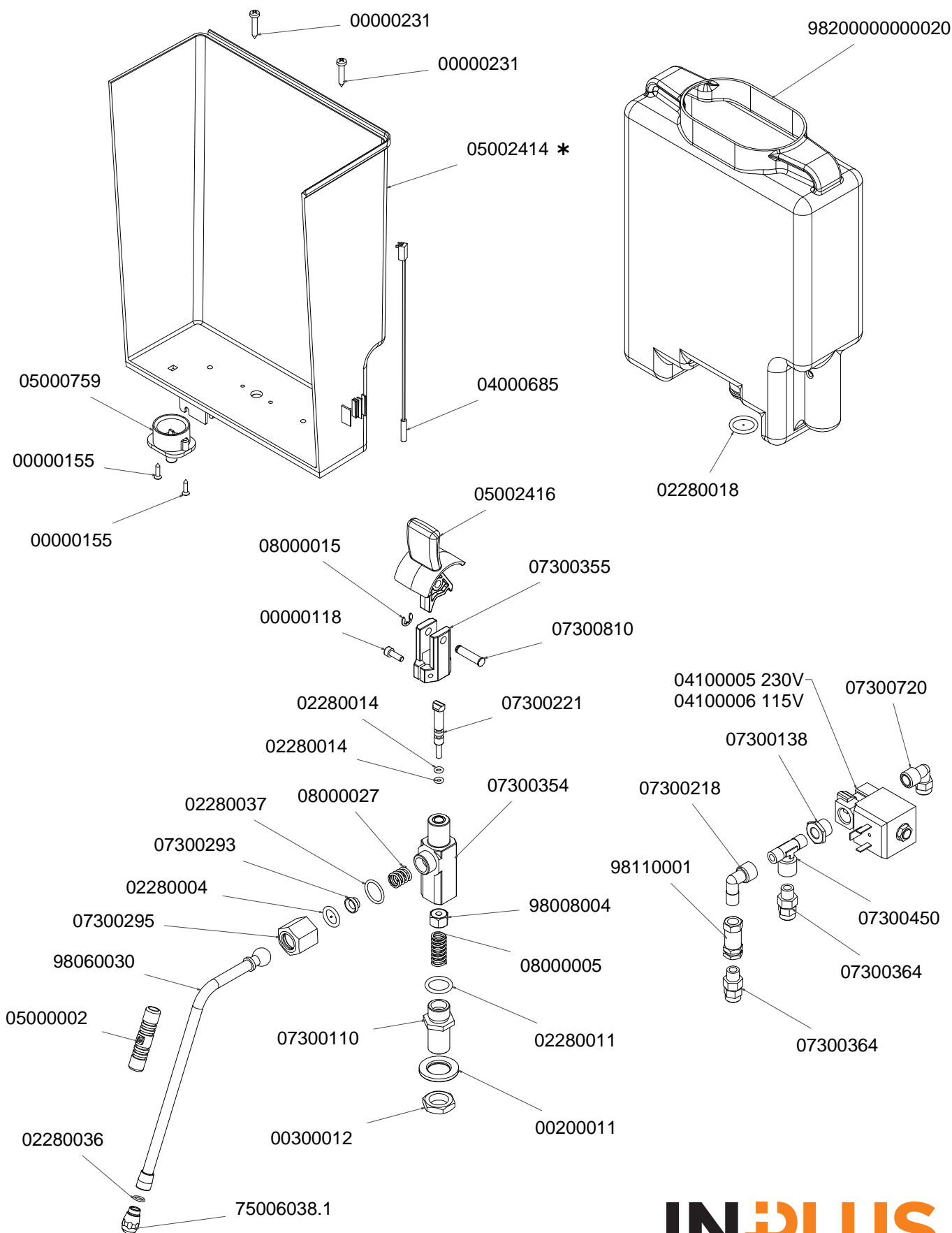
O
S
C
A
R
II



* SPECIFICARE COLORE (SPECIFY COLOR)

COMPONENTI IDRAULICI E RUBINETTO VAPORE HYDRAULIC PARTS AND STEAM VALVE

O
S
C
A
R
II



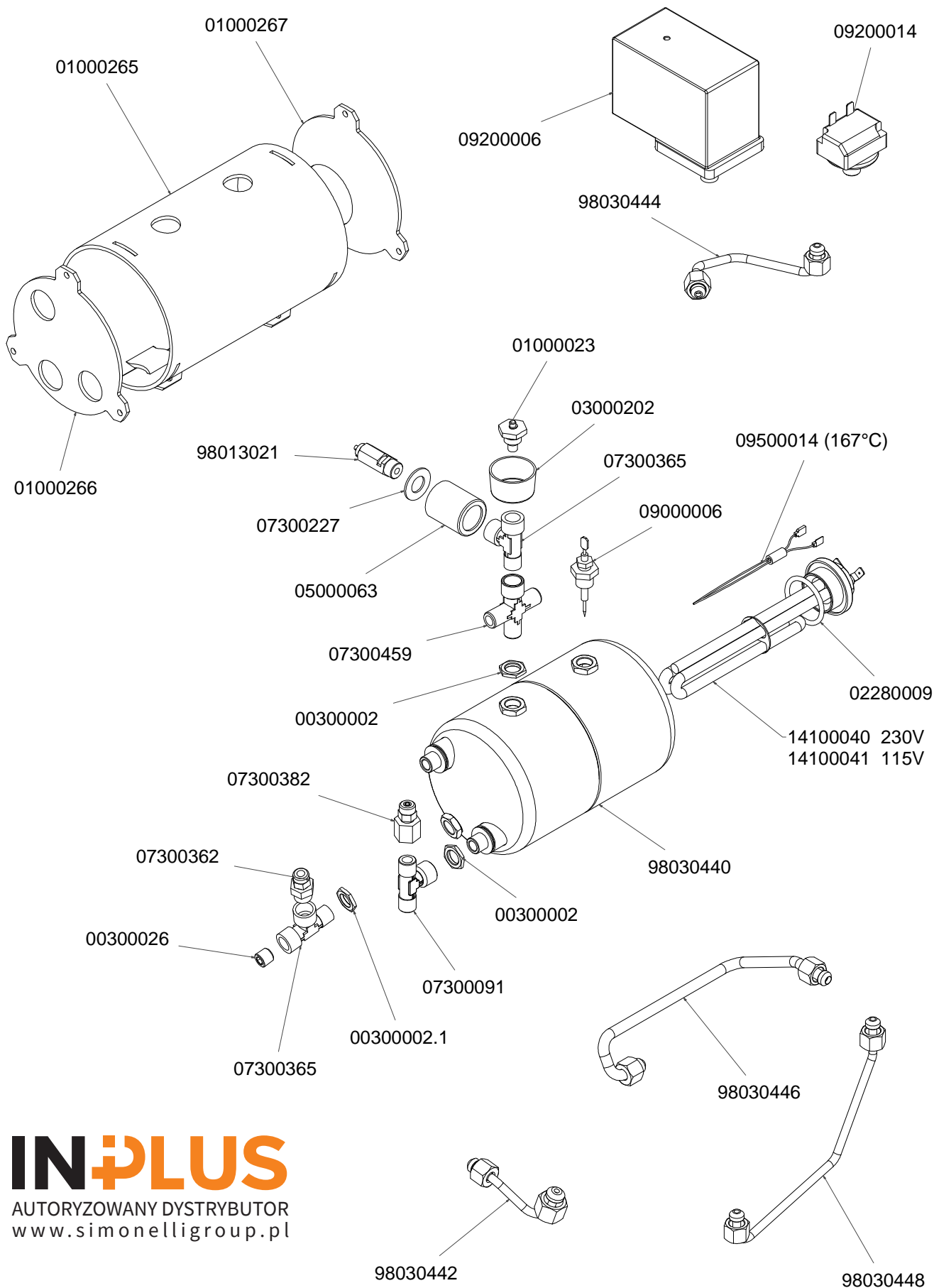
* SPECIFICARE COLORE (SPECIFY COLOR)



IN+PLUS
AUTORIZOWANY DYSTRYBUTOR
www.simonelligroup.pl

COMPONENTI CALDAIA BOILER PARTS

O
S
C
A
R
II



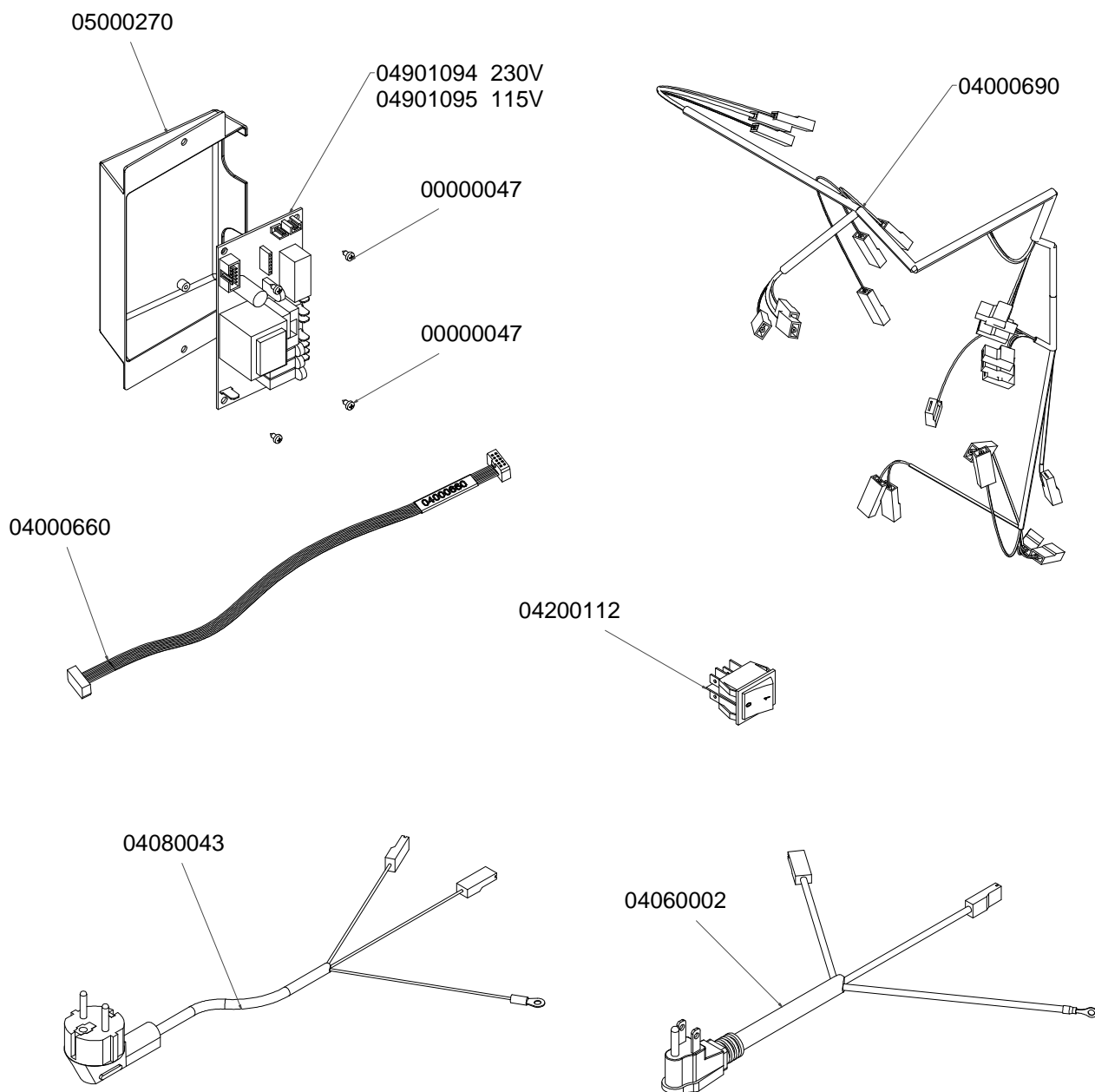
INPLUS
AUTORYZOWANY DYSTRYBUTOR
www.simonelligroup.pl

**nuova
SIMONELLI**

TAV 05

COMPONENTI ELETTRICI ED ELETTRONICI ELECTRIC AND ELECTRONIC PARTS

O
S
C
A
R
II



CODICE	DESCRIZIONE	DESCRIPTION	END VALIDITY
00000009	VITE AUTOF 3,5x8 Z.B. HILO TC TCR	GALV. SELF-TAPPING SCREW 3,5x6,5 MUSTAD	
00000011	RONDELLA INOX M4 ZIGRINATA UNI 8842/A	STAINLESS STEEL KNURLED WASHER D4	
00000047	VITE AUTOF 2,9x6,5 TC/T.CR.	CROSS HEAD CAP SELF-TAPPING SCREW 2,9x6,5	
00000050	VITE AUTOF 3,5x12 TC/T.CR. TRUCIOLARE	SCREW 3,5x12 TC/T.CR.	
00000083	VITE AUTOF 3,9x16 TC/T.CR.	CROSS HEAD CAP SELF-TAPPING SCREW 3,9x16	
00000089	VITE INOX M4x12 TC TCR DIN7985	SS CROSS HEAD CAP SCREW M4x12	
00000096	RONDELLA AQ M6 6,6X18X1,5 ZINC	GALVANISED WASHER M6 6,6x18x1,5	
00000112	VITE INOX M6x20 TCEI UNI 5931	SS SOCKET SCREW M6x20 UNI 5931	
00000118	VITE INOX M4x12 TCEI 5931	SS HEX SOCKET CAP SCREW M4x12	
00000155	VITE INOX TRUCIOL. 3x12 TSPTCR 18-8 DIN 7505 A	SS SCREW 3x12 TSPTCR DIN 7505 A	
00000174	VITE INOX M4x16 TC TCR	SS CROSSHEAD CAP SCREW M4x16	
00000175	VITE INOX M4x10 TC TCR	SS CROSS HEAD CAP SCREW M4X10	
00000199	DADO INOX M4 MEDIO UNI 5588	NUT M4 MEDIUM STAINLESS UNI 5588	
00000204	VITE AUTOF INOX 2,9x6,5 TC TCR DIN7981	SS SELF-THREADING SCREW 2,9x6,5 TC-TCR DIN7981	
00000221	RONDELLA DI SICUREZZA INOX M6 SCHNORR CONICA	SECURITY FLAT WASHER INOX M6 CONICAL	
00000222	VITE INOX M6 LT=17,5 TE CH9 + TC x DOCCIA **AD ESAURIMENTO	SS SCREW M6 TE CH9 FOR GROUP SHOWER	
00000231	VITE AUTOF INOX 3,9x19 TC /TCR	SS SELF-THREADING SCREW 3,9x22	
00000232	DADO IN GABBIA M 4 x SPESS. 0,3-0,9	CAGE NUT FOR 0,3-0,9mm METAL SHEET	
00200011	RONDELLA AQ M16 17X30X3 ZINC	GALVANISED WASHER M16 17x30x3	
00300002	DADO OT 1/4 SPESS.3 CH18 AGG. 22.07.96	BRASS NUT 1/4 SPESSOR 3	
00300002.1	DADO OT 1/4 SPESS.3 CH18 MAGGIORATO	BRASS NUT 1/4 THREAD EXTENDED +0,3mm	
00300012	DADO OT 3/8 GAS CH22 SPESS.6 AGG. 22.07.96	BRASS NUT 3/8 GAS SPESSOR 6 HEX 22	
00300021	VITE INOX M6x18 TSP TC DIN963	SS SLOTTED COUNTERSUNK SCREW M6X18 DIN963	
00300026	TAPPO CONICO 1/4 GAS	CONICAL TAP 1/4"	
00300040	GRANO INOX M6x6 PUNTA PIANA	SS GRUB SCREW M6x6	
01000023	VALVOLINA SFIATO	ANTI VACUUM VALVE	
01000089	VALVOLINA DI RITEGNO CO14	RETAINING VALVE CO14	
01000092	TUBO CARICO ACQUA 1,5mt EPDM 3/8F OTT. - 3/4F90	3/8F-3/4F90° WATER CHARGE PIPE 1,5mt	
01000265	ISOLANTE CALDAIA OSCAR II	BOILER THERMAL INSULATION	
01000266	ISOLANTE D.110 DX CALDAIA OSCAR II	BOILER THERMAL INSULATION DX SIDE	
01000267	ISOLANTE D.110 SX CALDAIA OSCAR II	BOILER THERMAL INSULATION SX SIDE	
01000268	KIT ISOLANTE CARENA OSCAR II	SS HULL THERMAL INSULATION	
02280004	GUARN. OR 115 D.17 EP856 SNODO LANCIA	GASKET OR 115 D17 EP 856 x SWIVEL STEAM PIPE	
02280009	GUARN. OR 139/4131 D.40 EP851	GASKET OR 139/4131 D.40 EP851	
02280011	GUARN. OR R11 D19 EP 851	GASKET O RING R11 D19 EP 851	
02280014	GUARN. OR D7 AN2/OR102 SILICON 7XL1715	GASKET O RING D.7 AN2/OR102 SILICON	
02280018	GUARN. OR R11 D19 SILICONE ROSSO Sh70	RED SILICON GASKET O RING Sh70	
02280020.C	GUARNIZ. SOTTOCOPPA 073X058X7 TIPO C 82/84 ShA	GROUP GASKET	
02280036	GUARN. OR x BECCO LANCIA VAP. DI 6x1,2 EPDM70	GASKET OR x STEAM WAND NOZZLE	
02280037	GUARN. OR CHIUSURA SNODO 16x2 NBR70	GASKET OR JOINT LOCK 16x2	
02290016	GUARN. OR D 9,5 R5 SILICONE R.	GASKET OR D 9,5 R5 SILICON RED	
02590010	GUARNIZ.PISTONCINO FKM NERO Sh80	GUARNIZ.PISTONCINO FKM NERO Sh80	
03000066	DOCCIA INOX 56x5,5x 6 SALDATA Aisi304	SHOWER INOX 056X05,5x6	
03000072	FILTRO 1 CAFFE' ALTO 7 gr.	FILTER ONE COFFEE HIGH REPLACE 03000321	
03000073	FILTRO 2 CAFFE' ALTO 14gr.	FILTER TWO COFFEE HIGH REPLACE 03000322	
03000202	VASCHELLA RACC.CONDENSEA MASTER AGG. 07.06.97	CONDENSATION TRAY MASTER	
03002450	CARENA FRONTALE OSCAR II	FRONT PANEL OSCAR II	
03002452	CARENA FIANCO DX OSCAR II	RIGHT SIDE PANEL OSCAR II	
03002454	CARENA FIANCO SX OSCAR II	LEFT SIDE PANEL OSCAR II	
03002458	TELAIO MACCHINA OSCAR II	MACHINE FRAME OSCAR II	
03002460	RETINA A FILO INOX PIANO LAV. OSCAR II	SS NET WORK PLANE OSCAR II	
03002462	PROTEZ. P.SCALDATAZZE OSCAR II	CUP WARMER INTERNAL PROTECTION OSCAR II	
04000075	MORSETTIERA PVC 2 POLI	TERMINAL BLOCK 2 WAY	
04000198	PRESA LAMELLARE M 6.3 d4.2 45	FOIL HOLDER M 6.3 D 4.2 45	
04000199	PRESA LAMELLARE DOPPIA M 6.3 d4.2 45	DOUBLE FOIL HOLDER M 6.3 D 4.2 45	
04000566	UNITA' MAGNETICA GALLEGGIANTE D22X35	FLOATING UNIT	
04000660	CAVO CONNESSIONE CENTR.-SCHEDE EROG. MUSICA	CENTRAL UNIT/DISPENSING BOARD FLAT CABLE	
04000685	SENSORE REED 4X19 X OSCAR II TANICA	TANK LEVEL REED SENSOR 4x19mm OSCAR II	
04000690	CABLAGGIO COMPLETO OSCAR II	COMPLETE ELECTRICAL CABLING OSCAR II	
04060002	CAVO ALIM. UL AWG3x18 SJO 10A 90C 2mt SPINA USA DIRITTA	POWER SUPPLY CABLE UL AWG 3x18 SJT + PLUG 730	
04080043	CAVO ALIM. 2mt CE SPINA SCHUKO 90 H05VV-F 3x0,75	2 m POWER CORD EC PLUG	
04100005	E.V. NC 2VIE 1/4-1/4 220-230V 50/60Hz EPDM F2 CE	NC 2-WAY SOLENOID 1/4-1/4	
04100006	E.V. NC 2VIE 1/4-1/4 110-120V 60Hz EPDM F2 UL	NC 2-WAY SOLENOID 1/4-1/4 115v	
04100037	E.V. NC 3VIE BASETTA SCAR. PORTAG. 115V 60Hz VITON F1.5 UL	3-WAY SOLENOID VALVE 115V 60Hz VITON F1.5 UL	
04100038	E.V. NC 3VIE BASETTA SCAR. PORTAG. 230V 50/60Hz VITON F1.5	3 WAYS SOLENOID VALVE 230V	
04100060	E.V. NC 2VIE 3/4-JG 6 DIRITTA REGOL+FILTR F.2,5 230V 50/60Hz	2-WAY SOLENOID VALVE 3/4-JG 6 230V 50/60HZ	
04100061	E.V. NC 2VIE 3/4-JG 6 DIRITTA REGOL+FILTR F.2,5 115V 60Hz UL	2-WAY SOLENOID VALVE 3/4-JG 6 115v 60HZ	
04100062	E.V. NC 2VIE 3/4-JG6 DIRIT. UL REGOL+FILTR F.2,5 208/240V60Hz	2-WAY SOLENOID VALVE 3/4-JG 6 230V 60HZ UL	
04200112	INTERRUTTORE BIPOLARE ROSSO 0/1 RETTANGOLARE UL 16A	2 POLES SWITCH 16A OSCAR II	
04800005	POMPA ELETTROMECC. 230V 50Hz 48W	VIBRATION PUMP V230/50	
04800006	POMPA ELETTROMECC. 120V 60Hz 41W	VIBRATION PUMP 115V 60Hz	
04800007	POMPA ELETTROMECCANICA 220V 60Hz 64W	ELECTROMECHANICAL PUMP 220V 60Hz 64W	
04901090	SCHEDE EROGAZIONE 2 TASTI OSCAR II	2 KEY KEYBOARD OSCAR II	
04901094	CENTR. ELETT. OSCAR II 230V	CONTROL UNIT OSCAR II 230V	
04901095	CENTR. ELETT. OSCAR II 115V	CONTROL UNIT OSCAR II 115V	
05000002	GOMMINO PROTEZIONE LANCIA D.8	RUBBER STEAM PIPE PROTECTION 8	
05000063	COPRI VALVOLA SICUREZZA PA6	SAFETY VALVE COVER	
05000082	MISURINO CAFFE' MACINATO 1DOSE	1 DOSE SPOON	
05000083	BLOCCACAVO SR 11-2 NERO	CABLE BLOCK SR 11-2	
05000185	PIEDINO OSCAR	FOOT OSCAR	
05000186	INSERTO NYLON GR. OSCAR h3 D.6,3/20 NERO	H2 NYLON INSERT OSCAR GROUP	
05000187	INSERTO NYLON GR. OSCAR H1 D.6,3/20	H1 NYLON INSERT OSCAR GROUP	
05000268	CONTENITORE ACQUA 3lt "MUSICA"	3LT WATER CONTAINER - MUSICA	
05000270	SUPP. CENTRALINA "MUSICA"	ELECTRONIC CONTROL BOARD SUPPORT - MUSICA	
05000758.N	COPERCHIO VASCHELLA ACQUA 5LT PRONTOBAR NERO GREZZO	5 LT WATER CHAMBER COVER - PRONTOBAR BLACK	
05000759	COLLETTORE CONTENITORE ACQUA 5LT MICROBAR	MICROBAR WATER CONTAINER MAINFOLD 5LT	
05000840	MANOPOLA PORTAFILTRO 2003 NERO	FILTER HOLDER KNOB 2003 BLACK	
05000842	CHIUSURA MANOPOLA PORTAFILTRO 2003	FILTER HOLDER KNOB LOCK 2003	
05000844	RIVESTIMENTO GOMMA NERA MANOPOLA PORTAFILTRO	BLACK RUBBER COVER FILTER HOLDER KNOB	
05002228	COLLETTORE SCARICO GRUPPI EROG	POURING UNIT DRAIN MANIFOLD	
05002230	TAPPO GOMMA SCARICO x 05002228	DRAIN RUBBER PLUG	
05002400	COPRIGRUPPO OSCAR II	GROUP COVER OSCAR II	
05002404	CARENA SUPERIORE OSCAR II	TOP COVER OSCAR II	
05002406	CARENA RETRO OSCAR II	BACK COVER OSCAR II	
05002408	CARENA INFERIORE OSCAR II	BASE COVER OSCAR II	

O
S
C
A
R
II

CODICE	DESCRIZIONE	DESCRIPTION	END VALIDITY
05002410	VASCETTA RACC.ACQUA OSCAR II	DRIP TRAY OSCAR II	O S C A R II
05002412	CHIUSURA FONDO OSCAR II	BOTTOM COVER OSCAR II	
05002414	SOSTEGNO TANICA OSCAR II	TANK SUPPORT OSCAR II	
05002416	MANOPOLA VAPORE OSCAR II	STEAM KNOB OSCAR II	
05080035	PRESSA CAFFÈ ABS NERO	PLASTIC COFFEE PRESS	
05180005	SUPPORTO POMPA AD L	L-SHAPED PUMP BRACKET	
05180006	PIPETTA PORTAGOMMA 90 x POMPA	SMALL PIPE	
06200008	BECCO DUE VIE OPEN	TWO WAYS SPOUT	
06200086	CORPO PORTAF. INCLINATO 2003 PERSONALIZZATO N.S.	TILTED FILTER HOLDER BODY 2003	
07300009	DADO RACCORDO 1/4 GAS	NUT CONNECTION 1/4 GAS	
07300034	PISTONCINO OTT. 12x4,5x4	VALVE PISTON 12x4,5x4	
07300091	RACCORDO T 1/4 M-F-M CILIN.	T FITTING MFM 1/4	
07300110	TAPPO PORTA MOLLA R.V. PR.	SPRING HOLDER TAP	
07300138	RIDUZIONE 1/4"M - 1/8"F ES.17 AGG. 29.05.96	REDUCTION 1/4"-1/8" ES, 17 ADD. 29.05.96	
07300183	PADIGLIONE GRUPPO PREMIER2002 AGG. 30.08.2012	GROUP HEAD CAP	
07300212	BECCO DUE VIE PICCOLO	TWO WAYS SPOUT	
07300218	RACCORDO L 1/8 M-F 458	L FITTING 18/ M-F	
07300221	ASTA INOX RUBINETTO VAPORE	STEAM VALVE INOX SCREW	
07300225	GIGLER M8x8 F.3	GIGLEUR M8X8 F.3	
07300227	RONDELLA OT D.26x13,5x1,5 AGG.5.06.03	BRASS WASHER D.26X13,5X1,5	
07300293	BUSSOLA SNODO OTT. AG.25.06.96	BRASS BUSHING	
07300295	DADO RACC. 3/8 LANCIA SNODATA OTTONE NICHELATO	WAND NUT 3/8	
07300354	CORPO RUB. VAPORE x LANC. SNOD OTTONE OT-58	STEAM KNOB BODY X FLEXIBLE WAND	
07300355	FORCELLA RUBINETTO '99 OTTONE OT-58	TAP FORK	
07300362	RACCORDO DIR. 1/4 M-CALZ.6 340	STRAIGHT FITTING 1/4	
07300364	RACCORDO DIR. 1/8 M CON. - CALZAM.6 340	STRAIGHT FITTING 1/8 SHEATH TYPE D.6	
07300365	RACCORDO T 1/4 M-F-F	T FITTING 1/4 FFM	
07300369	RACCORDO ATTACCO DIRETTO PER POMPA ELETTROMECCANICA	FITTING DIRECT DISCHARGE FOR PUMP	
07300382	RACCORDO DIR. 1/4 F - CALZAM.	CONNECTION DIR. F 1/4 !! ACTUATOR	
07300450	RACCORDO T 1/8 M-F-M	COUPLING T 1/8	
07300459	RACCORDO CROCE 1/4 M-M-M-F	CROSS FITTING 1/4" M-M-M-F	
07300601	INSERTO MANOPOLA PORTAFILTRO 2003 INOX (Aisi303)	FILTER HOLDER KNOB INSERTION 2003 STAINLESS	
07300684	GIGLER M8x8 F.3,2	GIGLEUR M8X8 F.3,2	
07300714	RACCORDO L 1/8 M - CALZAM.6	L FITTING 1/8 SHEAT TYPE D6	
07300720	RACCORDO L 1/4 M - CALZAM.	L FITTING 1/4 M SHEAT TYPE	
07300810	SPINOTTO RUB.VAPORE AURELIA II	SPINOTTO RUB.VAPORE AURELIA IIREPLACE 07300104	
07300860	GIGLER ALIMENTAZIONE 1/8 M-F F.0,7	WATER SUPPLY CALIBRATED ORIFICE 1/8" 0.7mm	
08000003	FASCETTA STRINGITUBO D9.1	HOSE CLAMP D9.1	
08000005	MOLLA 6 ST 11,5X8,5X25 RUB.VAPORE	STEAM VALVE SPRING	
08000015	ANELLO SEEGER TIPO RS 5 INOX UN17434	SEEGER RING RS 5 STAINLESS STEEL	
08000017	MOLLA BLOCCA FILTRO ACC.INOX	FILTER HOLDER SPRING INOX	
08000027	MOLLA PER LANCIA SNODATA	WAND SPRING	
09000006	SONDA AUTOLIVELLO COMP. L=70 CON GOLA	LEVEL PROBE REPLACE CODE 73003011	
09200006	PRESSOSTATO MACCHINA CE/UL TRIF. 30A 400V	VARIABLE PRESSURE SWITCH 3P 30A 400V	
09200014	PRESSOSTATO "OSCAR" 1,4BAR 1/4	PRESSURE SWITCH 1P 16A 250V	
09500007	TERMOPROTETTORE 2MMT 100C	2MMT 100°C THERMAL PROTECTION	
09500014	TERMOPROTETTORE x RESISTENZA G5 167C 16A 250V UL	THERMO PROTECTOR	
11600002	TUBO SILICONE 5x8 60Sh PEROX (1mt=37gr) TRASPARENTE	SILICONE TUBE 5x8	
11740001	TUBO TEFLON 6/4	TEFLON PIPE 4X6	
14100040	RESISTENZA CALDAIA OSCAR 1" 1200W 230V +T.P.	HEATING ELEMMENT OSCAR 1200W 230V 1"	
14100041	RESISTENZA CALDAIA OSCAR 1" 1200W 115V +T.P.	HEATING ELEMENT OSCAR	
31000255	ETICHETTA ADESIVA SIMBOLO "TERRA" CERCHIATO	CIRCLED EARTH SYMBOL DECAL	
31000700	ETICHETTA ADESIVA OSCAR II	OSCAR II COVER LABEL	
73004013	GRUPPO EROGAZ. CROMATO OT-58 OSCAR/MUSICA	CHROME POURING GROUP/ OSCAR	
73004014	GRUPPO EROG. COMPL. OSCAR 115V	POURING GROUP ASSEMBLY OSCAR 115 V	
73004015	GRUPPO EROG. COMPL. OSCAR 230V	POURING GROUP ASSEMBLY OSCAR 230 V	
75006038.1	BECCO VAPORE M8,65x0,75 F. 1,2 ESAG.12	STEAM NOZZLE M8,65x0,75 1.2mm HOLES	
98005024	CORPO PORTAFILTRO INCLINATO + MANOPOLA N.S.	TILTED FILTERHOLDER +HANDLE	
98008004	PISTONCINO CHIUSURA COMPLETO	COMPLETE STEAM VALVE PISTON	
98013020	VALVOLA SICUREZZA A5 1/4 TARATA 1,8 BAR	SAFETY VALVE 1/4 1.8 BAR	
98030440	CALDAIA SALDATA OSCAR II	OSCAR II BOILER	
98030442	TUBO VAPORE - CALDAIA OSCAR II	PIPE BOILER-STEAM VALVE OSCAR II	
98030444	TUBO PRESSOSTATO -CALDIA OSCAR II	PIPE BOILER-PRESSURE SWITCH OSCAR II	
98030446	TUBO SUPERIORE GRUPPO EROG.- CALDAIA OSCAR II	TOP PIPE HEAT EXCHANGER-GROUP OSCAR II	
98030448	TUBO INFERIORE GRUPPO EROG.- CALDAIA OSCAR II	BOTTOM PIPE HEAT EXCHANGER-GROUP OSCAR II	
98060030	LANCIA VAPORE D8 OSCAR II OT CROMATO	STEAM WAND OSCAR II	
98120001	VALVOLA NEPLAX VITON 16,5 BAR 1/8 - PORTAGOMMA	NEPLAX VITON 16,5 BAR VALVE 1/8 HOSE CLAMP	
98110001	VALVOLA RITEGNO COMPL. 1/8 F-F	RETAIN VALVE 1/8 F-F	
98200000000020	ASS. TANICA ACQUA CON GALLEGGIANTE	WATER CONTAINER ASSEMBLY WITH FLOAT SENSOR	
980300000002600000	ASSIEME CALDAIA OSCAR II	COMPLETE BOILER ASSEMBLY OSCAR II	