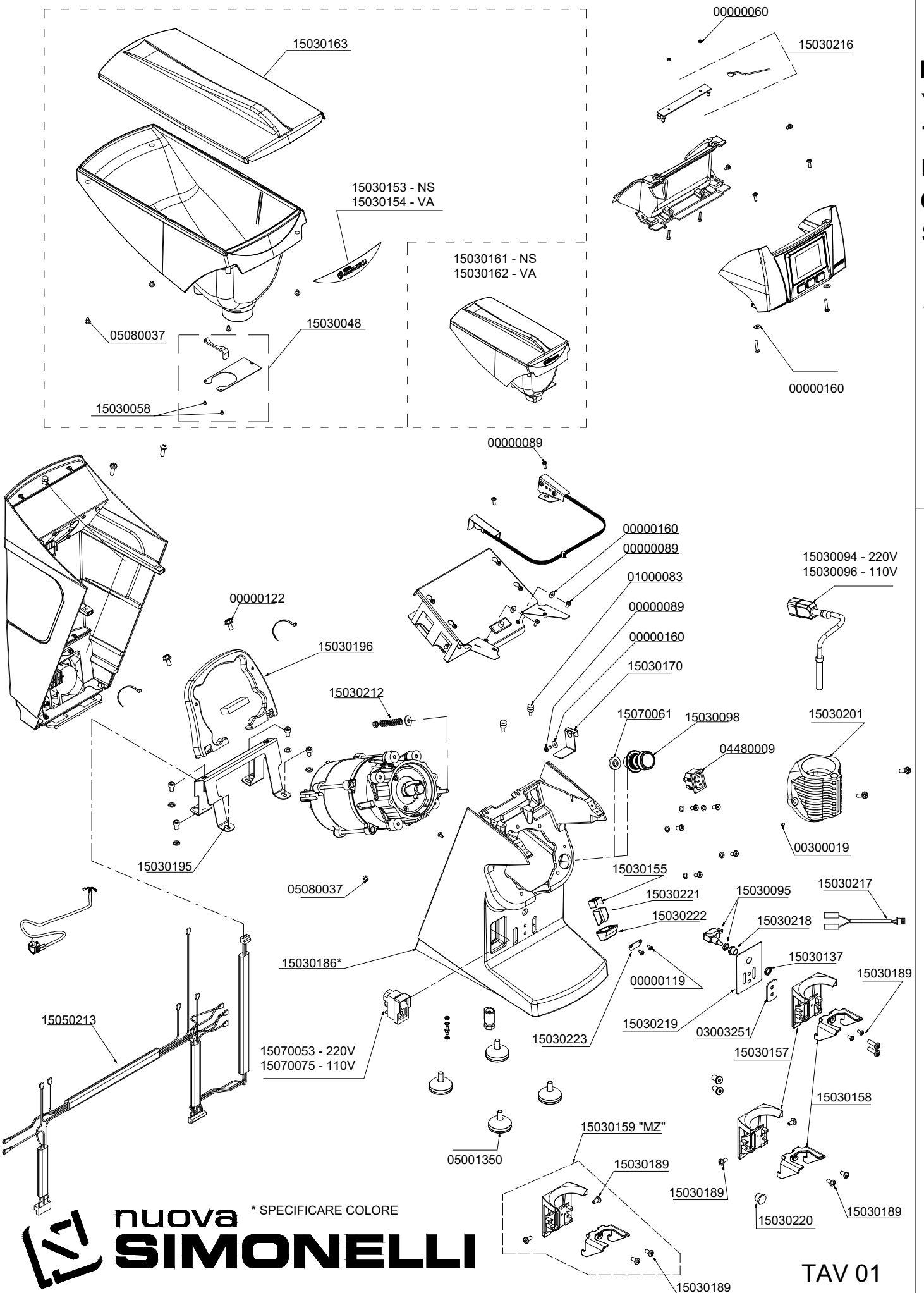
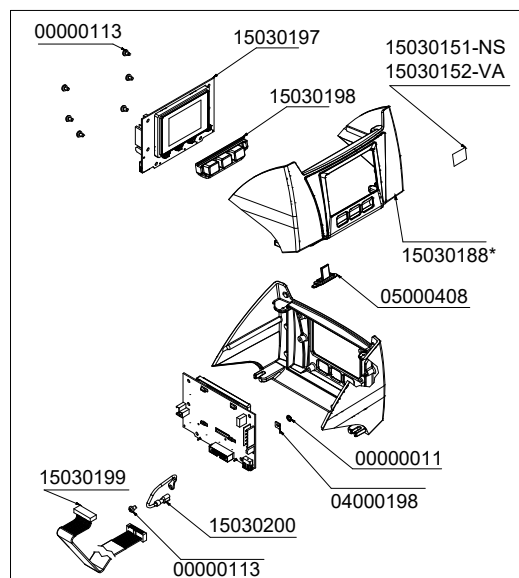
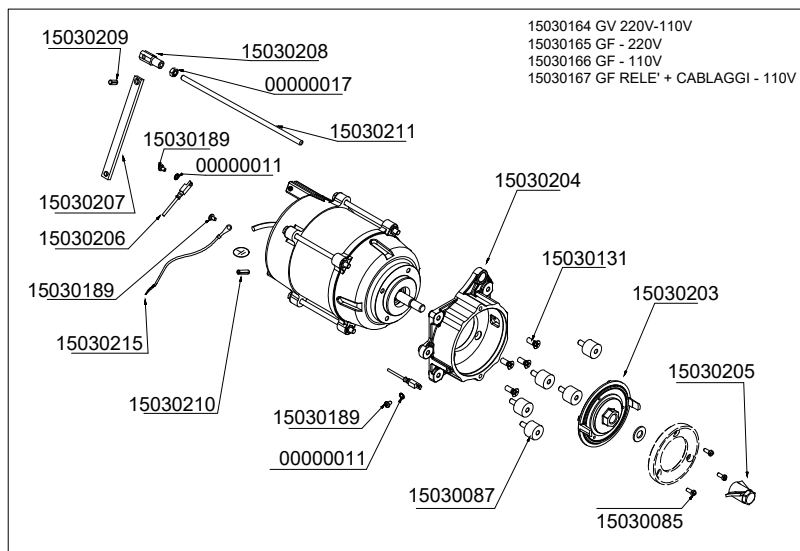
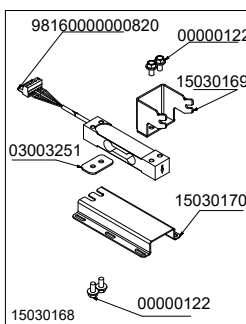
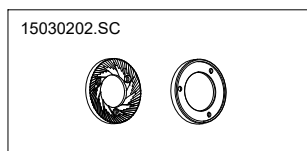
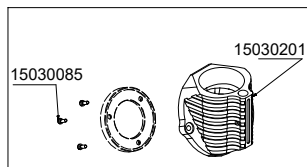
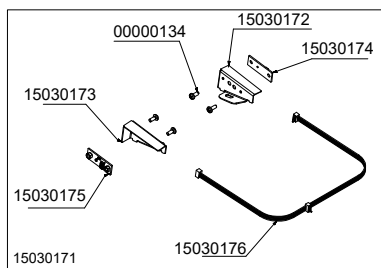
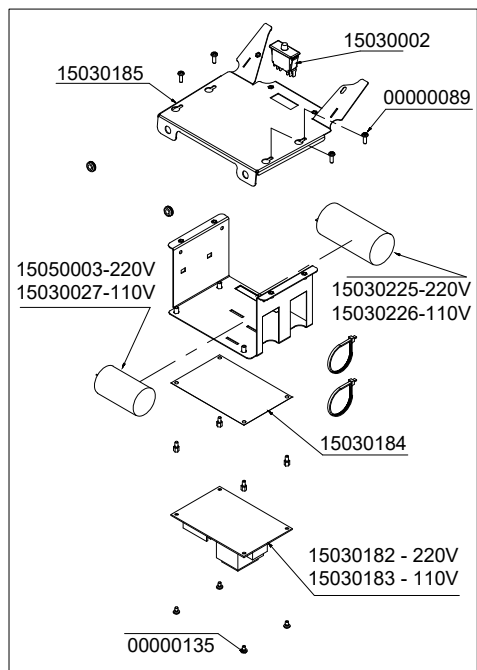
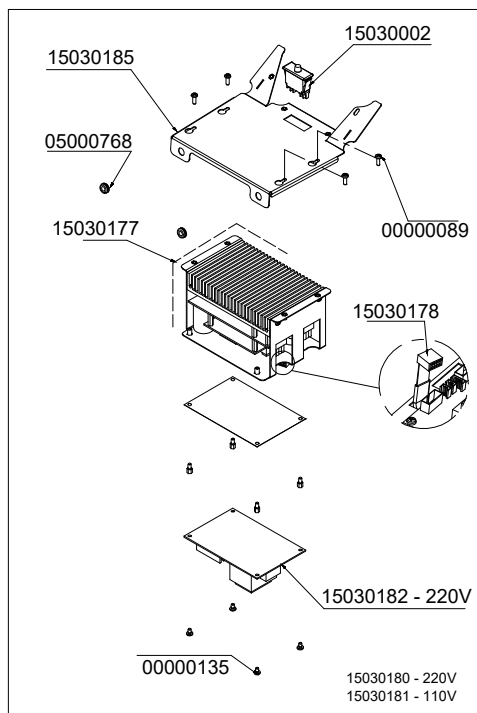
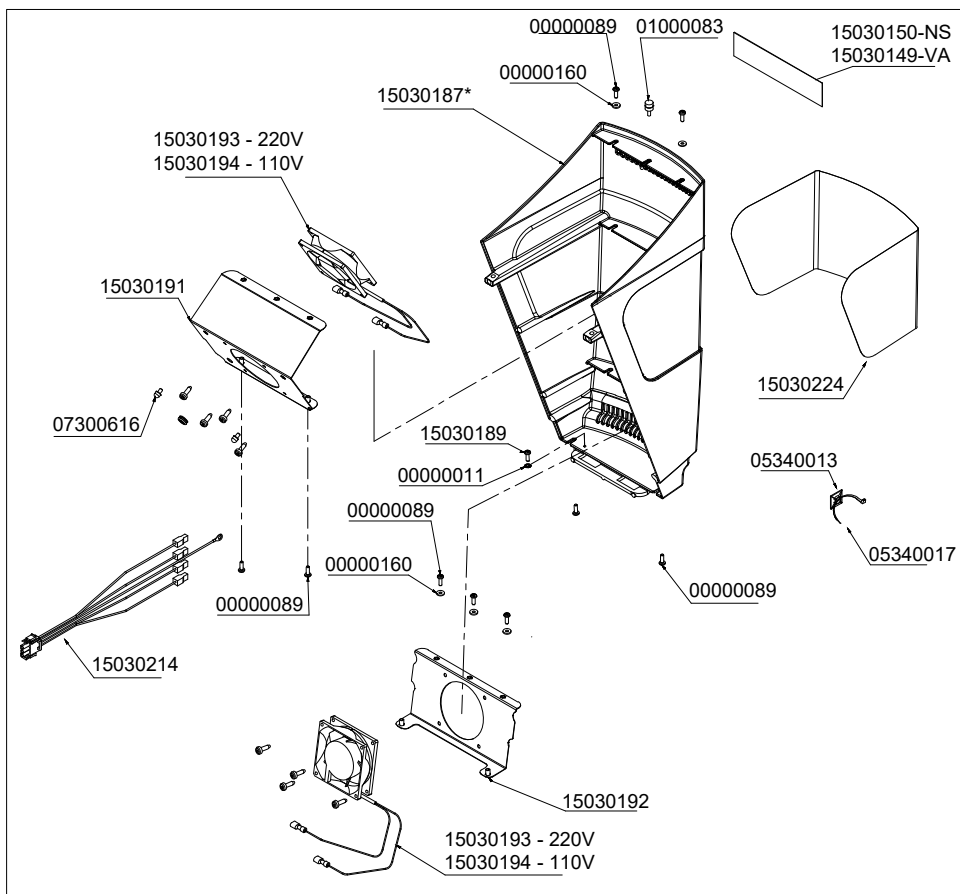


MYTHOS 2

ESPLOSO
11/2018







CODICE	DESCRIZIONE	DESCRIPTION	END VALIDITY
00000011	RONDELLA INOX M4 ZIGRINATA UNI	STAINLESS STEEL KNURLED WASHER D4	M Y T H O S 2
00000017	DADO AQ M6 ALTO ZINC. h6 5587	ZINC COATED NUT AQ M6 HIGH	
00000060	DADO AQ M3 MEDIO ZINCATO	M3 MEDIUM GALVANISED NUT	
00000089	VITE INOX M4x12 TC TCR DIN7985	SS CROSSHEAD CAP SCREW M4x12	
00000113	VITE INOX M4x6 TC T.CR. 7985	SS CROSSHEAD CAP SCREW M4x6	
00000119	VITE INOX M4x6 TSPTCR ISO 7046	SS CROSS HEAD COUNTERSUNK SCREW M4x6	
00000122	VITE AQ 8.8 M6x12 TE FLANG. ZIGR. ZINC. BIANCO	GALV. FLANGED KNURLED HEX CAP SCREW 8.8 M6x12	
00000134	VITE AQ M3x6 TC TC ZINC.	SCREW AQ M3x6 TC TC ZINC. UNI 6107	
00000135	VITE AUTOF 2,9x15 TCTC ZIN.	GALV. SLOTTED CAP SELF-TAPPIN SCREW 2,9x15	
00000160	RONDELLA INOX D4x12x1 UNI 6593	STAINLESS WASHER D4X12	
00300019	GRANO INOX M4x6 UNI 5923 PP	STAINLESS STEEL DOWEL M4X8 5923	
01000083	ANTIVIBRANTE DD 10x10 M4	ANTI-VIBRATING DD 10X10 M4	
01000083	ANTIVIBRANTE DD 10x10 M4	ANTI-VIBRATING DD 10X10 M4	
03003251	LAMIERA SPESSORE SUPPORTO BILANCIA VA388	WEIGHT SCALE SHEET METAL SUPPORT	
04000198	PRESA LAMELLARE M 6.3 d4.2 45°	FOIL HOLDER M 6.3 D 4.2 45°	
04480009	PRESA IEC DA INCASSO 3 POLI FASTON 6,3 10A FEMMINA	PLUG IEC F	
05000408	CHIUSURA PORTA USB VA388	USB COVER VA 388	
05000768	PASSAC. PVC NERO D13.5x6.6x1.5	D13.5x6.6x1.5 BLACK PVC CABLE DUCT	
05001350	PIEDE MACCHINA D.40 H=18+GOMM. INSERTO M8 MASCHIO	MACHINE FOOT MASTER	
05080037	PIEDINO GOMMA DURA TONDO 9x5xh9	MOTOR FOOT MASTER	
05080037	PIEDINO GOMMA DURA TONDO 9x5xh9	MOTOR FOOT MASTER	
05340013	BASSETTA 19x19 PER FASCETTA CON FORO PER VITE M4	SMALL BASE 19x19 FOR BAND WITH SCREW HOLE M4	
05340017	FASCETTA SERRAFILI 135x2,6 NERO	BLACK WIRE CLAMP 135x2,6	
07300616	PERNO CARENA M4 MICROBAR	MICROBAR CASE M4 PIN	
15030002	MICROSW SICUREZZA MYTHOS	SAFETY MICROSWITCH MYTHOS	
15030027	CONDENSATORE 60 µF	60 µF CAPACITOR	
15030048	GHIGLIOTTINA COMPLETA MYTHOS	COMPLETE GUILLOTINE MYTHOS	
15030058	VITE INOX M3x5 TSP TCR	SS SCREW M3X6	
15030085	VITE INOX M4x10 TCT(-) TESTA	GRINDER ASSEMBLY SCREW M4X10	
15030087	ANTIVIBRANTE D20xH15xL=16 M6	VIBRATION DAMPER 20x15 M6 M/F	
15030094	RESISTENZA + PRESA MYTHOS ONE 220V	MYTHOS ONE CARTRIDGE HEAT. ELEMENT 220V	
15030095	MICROSW ATTIV. MACIN. MYTHOS ONE	MYTHOS ONE MICROSWITCH	
15030096	RESISTENZA + PRESA MYTHOS ONE 110V	MYTHOS ONE CARTRIDGE HEAT. ELEMENT 110V	
15030098	POMELLO REGISTRO MACIN. MYTHOS ONE AZZERABILE	MYTHOS ONE GRINDER REGISTER HANDLE	
15030131	VITE INOX M6x16 TSP T.CR.	SS SCREW M6X16	
15030137	DADO X GUIDA MICRO ATTIV. MACIN. MYTHOS ONE	MICRO ACTIVATOR GUIDE NUT	
15030150	ETICHETTA "NUOVA SIMONELLI"	"NUOVA SIMONELLI" LABEL	
15030151	ETICHETTA LOGO MYTHOS 2 N.S.	"N.S. MYTHOS 2" LABEL	
15030152	ETICHETTA LOGO MYTHOS 2 V.A.	"V.A. MYTHOS 2" LABEL	
15030153	ETICHETTA FRONTALE CAMPANA "NUOVA SIMONELLI" MYTHOS 2	"NUOVA SIMONELLI" COFFEE BELL LABEL	
15030154	ETICHETTA FRONTALE CAMPANA "VICTORIA ARDUINO" MYTHOS 2	"VICTORIA ARDUINO" COFFEE BELL LABEL	
15030155	FRANGIA CLUMP CRUSHER MYTHOS 2	CLUMP CRUSHER SHEET	
15030157	FORCELLA MYTHOS 2	MYTHOS 2 FORK	
15030158	STAFFA REGGI PORTAF. REGOL. MYTHOS 2	FILTERHOLDER SUPPORT BRACKET	
15030159	GRUPPO FORCELLA MYTHOS 2 PER PORTAFILTRO "MZ"	"MZ" FILTERHOLDER FORK GROUP	
15030160	STAFFA REGGI PORTAF. REGOL. MYTHOS 2 PER PORTAFILTRO "MZ"	"MZ" FILTERHOLDER SUPPORT BRACKET	
15030163	COPERCHIO CAMPANA MYTHOS2	COFFEE BELL COVER	
15030169	SUPP. PORTAF. BILAN. MYTHOS 2	WEIGHT SCALE FILTERHOLDER SUPPORT	
15030170	SUPP. BILANCIA PER MYTHOS 2	WEIGHT SCALE SUPPORT	
15030172	LAMIERA SUPP. SENSORI GRANO DX	RIGHT GRAIN SENSOR SUPPORT SHEET	
15030173	LAMIERA SUPP. SENSORI GRANO SX	LEFT GRAIN SENSOR SUPPORT SHEET	
15030174	SENSORE TX PER LIVELLO GRANO (LATO DX)	RIGHT TX GRAIN LEVEL SENSOR	
15030175	SENSORE RX PER LIVELLO GRANO (LATO SX)	LEFT RX GRAIN LEVEL SENSOR	
15030176	CAVO COLL. SENSORI PRESENZA CAFFE' MYTHOS2 CAV43	SENSORS CABLE	
15030177	ASSIEME INVERTER IC 400 (110V-22V)	INVERTER IC 400	
15030178	CAVETTO INVERTER	INVERTER CABLE	
15030182	ALIMENTATORE 220V X MYTHOS 2	220V POWER SUPPLY	
15030183	ALIMENTATORE 110V X MYTHOS 2	110V POWER SUPPLY	
15030184	PROTEZIONE SCHEDA MYTHOS 2	CONTROL UNIT PROTECTIVE SHEET	
15030185	PROTEZ. SOTTOCAMPANA MYTHOS 2	UNDER-COFFEE BELL PROTECTION SHEET	
15030186	BASAMENTO MYTHOS 2	MYTHOS 2 BASE	
15030187	CORPO POSTER. MYTHOS 2	MYTHOS 2 BACK COVER	
15030188.B	PANNELLO FRONT. MYTHOS 2	MYTHOS 2 FRONT COVER	
15030189	VITE INOX M4x8 TC T.CR.	SS CROSSHEAD CAP SCREW M4x8	
15030191	SUPP. VENTOLA SUP. X MYTHOS 2	MYTHOS 2 HIGHER FAN SUPPORT	
15030192	SUPP. VENTOLA INF. X MYTHOS 2	MYTHOS 2 LOWER FAN SUPPORT	
15030193	VENTOLA 230V MYTHOS 2 CABLATA	MYTHOS 2 230V POWERED FAN	
15030194	VENTOLA 110V MYTHOS 2 CABLATA	MYTHOS 2 110V POWERED FAN	
15030195	STAFFA SUPP. MOTORE MYTHOS 2	MYTHOS 2 MOTOR SUPPORT BRACKET	
15030196	VERTEBRA MOTORE MYTHOS 2	MYTHOS 2 HIGHER MOTOR SUPPORT	
15030197	SCHEDA DISPLAY TFT MYTHOS 2	MYTHOS 2 DISPLAY TFT	
15030198	TASTIERA SILICONICA 3 TASTI MYTHOS 2	MYTHOS 2 3 KEYS KEYBOARD	
15030199	CAVO FLAT 20 VIE X MYTHOS 2	MYTHOS 2 20 WAYS FLAT CABLE	
15030200	CABLAGGIO TERRA X FRONTALE MYTHOS 2	MYTHOS 2 GROUND CABLE	
15030201	PORTAMACINA SUP. MYTHOS 2	MYTHOS 2 HIGHER GRINDERHOLDER	
15030202.SC	COPPIA MACINE D.85 LONG LIFE + SCATOLA	D 85 LONG LIFE GRINDERS	

CODICE	DESCRIZIONE	DESCRIPTION	END VALIDITY
15030203	PORTAMACINA INF. MYTHOS 2	MYTHOS 2 LOWER GRINDERHOLDER	
15030204	CAMERA DI MACINATURA MYTHOS 2	MYTHOS 2 GRINDING CHAMBER	
15030205	CHIOCCIOLA FERMA PORTAMACINE MYHTOS 2	MYTHOS 2 GRINDERHOLDER SCREW	
15030206	SONDA TEMPERATURA MYTHOS 2	MYTHOS 2 TEMPERATURE SENSOR	
15030207	ASTA REGISTRO MYTHOS LOW	CALIBRATION ROD	
15030208	FORCELLA REGISTRO MDL/C- MCD - MYTHOS 2	MYTHOS 2 FORK CALIBRATOR MDL/C-MCD	
15030209	SPINA ELASTICA 5x12	SPRING PIN 5x12	
15030210	SPINA ELASTICA 5x20	SPRING PIN 5x20	
15030211	TIRANTE REG. MCD - MYTHOS LOW	CALIBRATION TIE ROD MCD	
15030212	MOLLA TIRANTE REG. MACINATURA CORTA	SHORT CALIBRATION TIE ROD SPRING	
15030213	CABLAGGIO GENERALE MYTHOS 2	MYTHOS 2 MAIN CABLE	
15030214	CAVO COLL. VENTOLE + TERRA MYTHOS 2	MYTHOS 2 FAN + GROUND CABLE	
15030215	CAVO OCCHIELLO 4.2 30cm TERRA	4,2 EYELET GROUND CABLE 30 cm	
15030216	MODULO LED MYTHOS 2 + CAVETTO	LED + CABLE	
15030217	CAVO COLL. MICRO ATTIV. MACIN. MYTHOS 2	MYTHOS 2 MICROSWITCH CONNECTION CABLE	
15030218	DADO GUIDA MICRO ATTIV. MACIN. MYTHOS 2	MYTHOS 2 MICROSWITCH DRIVING NUT	
15030219	CHIUSURA FORI BILANCIA MYTHOS 2	MYTHOS 2 WEIGHT SCALE HOLES COVER	
15030220	DADO TAPPO MICRO MYTHOS 2	MYTHOS 2 MICROSWITCH COVER NUT	
15030221	CANALETTO USCITA CAFFE' MYTHOS 2	MYTHOS 2 GROINED COFFEE CHANNEL	
15030222	COPERCHIO CANALETTO USCITA CAFFE' MYTHOS 2	MYTHOS 2 GROINED COFFEE CHANNEL COVER	
15030223	FERMAGLIO CLUMP CRUSHER MYTHOS 2	MYTHOS 2 CLUMP CRUSHER CLIP	
15030224	ETICHETTA POSTERIORE MYTHOS 2	MYTHOS 2 BACK LABEL	
15030225	PILOT PER MYTHOS 2 - 220V	MYTHOS 2 PILOT - 220V	
15030226	PILOT PER MYTHOS 2 - 110V	MYTHOS 2 PILOT - 110V	
15050003	CONDENSATORE 20 µF	20 µF CAPACITOR	
15070053	INTERUTTORE 220V MDJ-MDXS-M2	SWITCH	
15070054	FERMACAVO DA PANNELLO MM. 13	CABLE BLOCK	
15070061	BOCCOLA CENTRAGGIO ASTA x MDJ TEFLON	CENTERING BUSHING	
98160000000820	ASSIEME CELLA DI CARICO VA388 + CONNETTORE	SCALE SENSOR + CONNECTIONS VA388	

M
Y
T
H
O
S
2